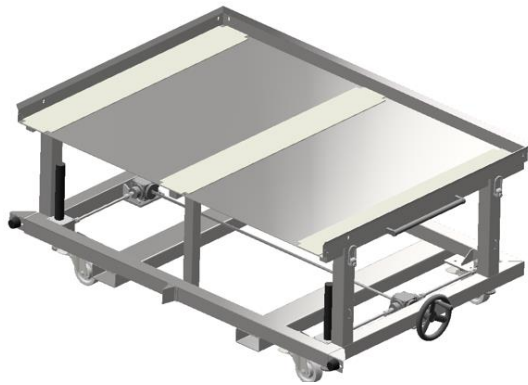
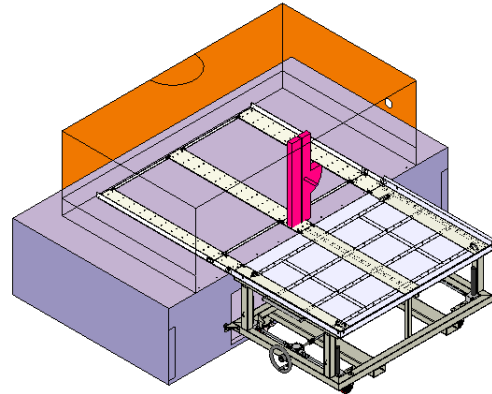


**MetOp-SG: MicroWave Sounder MGSE- Payload Test & Transportation Stand
(TTS & Thermal Chamber Interface)**

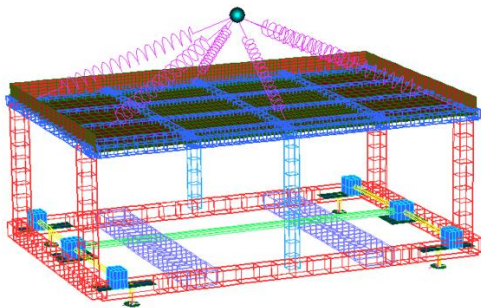
Customer: Airbus Defence & Space GmbH.



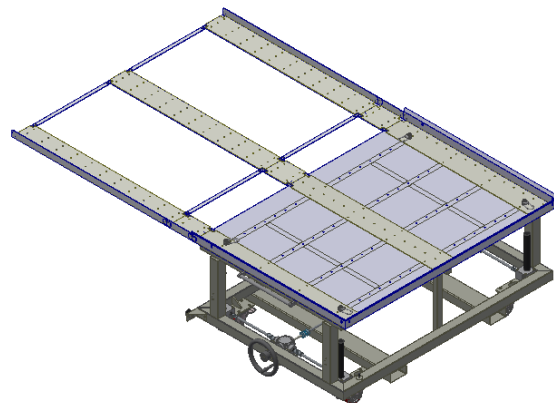
Test & Transportation Stand



TTS and Thermal chamber interface



FEM model for test prediction



TTS and Rails for thermal Chamber



TTS with Micro Wave-Sounder payload sliding test