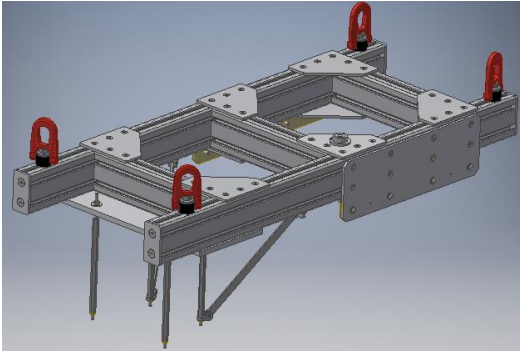
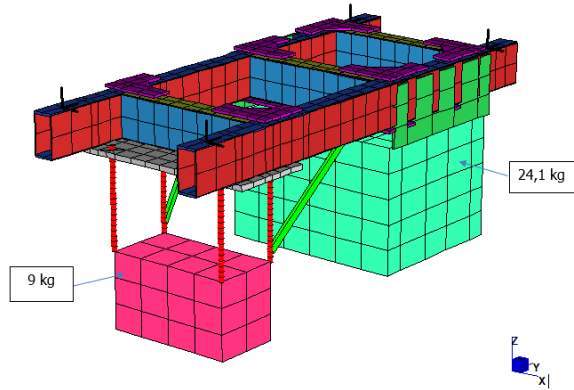


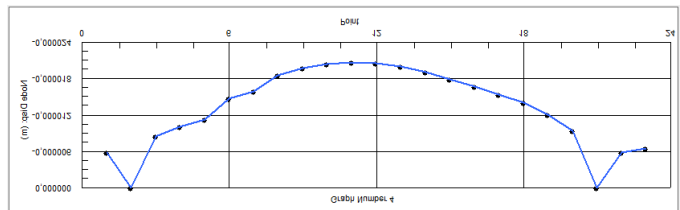
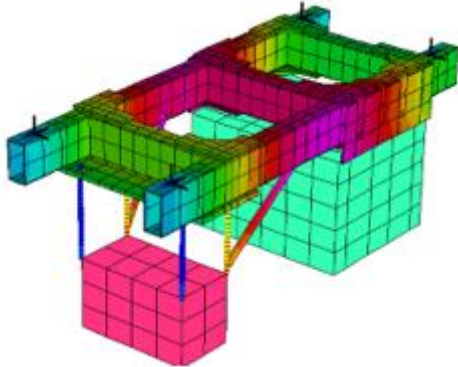
**MetOp-SG: MicroWave Sounder MGSE- EPC & VTA System Lifting and Handling Device.
(HLD Structural Analyses and Test Prediction)
Final Customer: Airbus Defence & Space GmbH.**



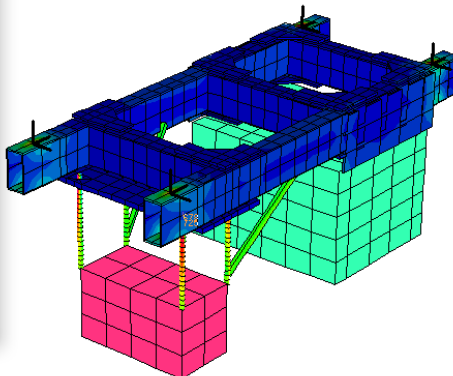
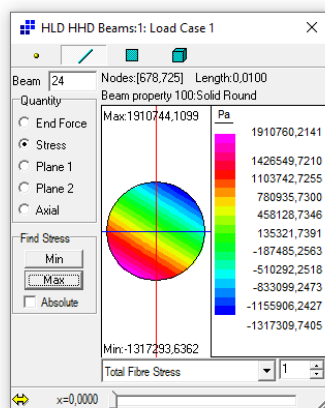
HLD design



Finite Element Structural Model



dDeflection of main bar



Max Von Mises stress on the vertical beams